



BUILDING CODE COMPLIANCE OFFICE (BCCO)
PRODUCT CONTROL DIVISION

MIAMI-DADE COUNTY, FLORIDA
METRO-DADE FLAGLER BUILDING
140 WEST FLAGLER STREET, SUITE 1603
MIAMI, FLORIDA 33130-1563
(305) 375-2901 FAX (305) 375-2908
www.buildingcodeonline.com

NOTICE OF ACCEPTANCE (NOA)

Construction Glass Industries Corporation
10100 N. W. 25th Street
Miami, Fl. 33172

SCOPE:

This NOA is being issued under the applicable rules and regulations governing the use of construction materials. The documentation submitted has been reviewed by Miami-Dade County Product Control Division and accepted by the Board of Rules and Appeals (BORA) to be used in Miami Dade County and other areas where allowed by the Authority Having Jurisdiction (AHJ).

This NOA shall not be valid after the expiration date stated below. The Miami-Dade County Product Control Division (In Miami Dade County) and/or the AHJ (in areas other than Miami Dade County) reserve the right to have this product or material tested for quality assurance purposes. If this product or material fails to perform in the accepted manner, the manufacturer will incur the expense of such testing and the AHJ may immediately revoke, modify, or suspend the use of such product or material within their jurisdiction. BORA reserves the right to revoke this acceptance, if it is determined by Miami-Dade County Product Control Division that this product or material fails to meet the requirements of the applicable building code.

This product is approved as described herein, and has been designed to comply with the Florida Building Code, including the High Velocity Hurricane Zone.

DESCRIPTION: Series 450 Aluminum Tube Mullion-Impact.

APPROVAL DOCUMENT: Drawing No. M98-02 Rev C, sheets 1 through 3 of 3 dated 04/23/98 and last revised on June 05, 2006, prepared by Al-Farooq Corporation, signed and sealed by Dr. Humayoun Farooq, P.E., bearing the Miami-Dade County Product Control Renewal stamp with the Notice of Acceptance number and expiration date by the Miami-Dade County Product Control Division.

MISSILE IMPACT RATING: Large and Small Missile Impact Resistant

LABELING: Each unit shall bear a permanent label with the manufacturer's name or logo, city, state and following statement: "Miami-Dade County Product Control Approved", unless otherwise noted herein.

RENEWAL of this NOA shall be considered after a renewal application has been filed and there has been no change in the applicable building code negatively affecting the performance of this product.

TERMINATION of this NOA will occur after the expiration date or if there has been a revision or change in the materials, use, and/or manufacture of the product or process. Misuse of this NOA as an endorsement of any product, for sales, advertising or any other purposes shall automatically terminate this NOA. Failure to comply with any section of this NOA shall be cause for termination and removal of NOA.

ADVERTISEMENT: The NOA number preceded by the words Miami-Dade County, Florida, and followed by the expiration date may be displayed in advertising literature. If any portion of the NOA is displayed, then it shall be done in its entirety.

INSPECTION: A copy of this entire NOA shall be provided to the user by the manufacturer or its distributors and shall be available for inspection at the job site at the request of the Building Official.

This NOA renews NOA # 06-0127.03 and consists of this page 1 and evidence page E-1, as well as approval document mentioned above.

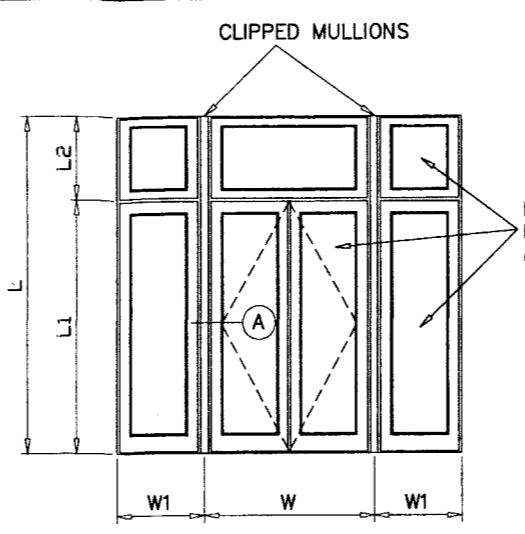
The submitted documentation was reviewed by **Ishaq I. Chanda, P.E.**



NOA No 06-0809.06
Expiration Date: October 05, 2011
Approval Date: October 05, 2006
Page 1

DESIGN LOAD CAPACITY - PSF (1/4" DIA. TAPCONS)														
OPENING DIMENSIONS			DOOR WIDTH (W) = 60"				DOOR WIDTH (W) = 72"				DOOR WIDTH (W) = 84"			
			SIDELITE WIDTHS (W1)				SIDELITE WIDTHS (W1)				SIDELITE WIDTHS (W1)			
L	L1	L2	24"	30"	36"	42"	24"	30"	36"	42"	24"	30"	36"	42"
96"	84"	12"	100.0	100.0	100.0	100.0	100.0	100.0	99.5	94.0	100.0	94.7	89.7	85.3
102"	84"	18"	100.0	100.0	100.0	100.0	100.0	100.0	95.3	90.0	96.3	90.9	86.1	81.7
108"	84"	24"	100.0	100.0	100.0	96.0	100.0	97.4	91.5	86.3	92.8	87.4	82.7	78.4
114"	84"	30"	100.0	100.0	98.4	92.1	100.0	93.7	88.0	82.9	89.4	84.2	79.6	75.4
120"	84"	36"	100.0	100.0	94.7	88.6	96.7	90.3	84.7	79.8	86.3	81.2	76.7	72.6
126"	84"	42"	100.0	98.1	91.2	85.3	93.4	87.2	81.7	76.9	83.5	78.4	74.0	70.0
132"	84"	48"	100.2	92.9	86.5	81.0	88.2	82.4	77.4	72.9	78.7	74.1	70.0	66.3
138"	84"	54"	86.7	80.4	75.0	70.2	76.3	71.3	67.0	63.2	68.1	64.1	60.6	57.4
144"	84"	60"	75.7	70.3	65.5	61.4	66.6	62.3	58.5	55.2	59.4	56.0	52.9	50.2
108"	96"	12"	100.0	100.0	98.8	92.8	99.5	93.4	88.0	83.2	88.6	83.7	79.4	75.4
114"	96"	18"	100.0	100.0	95.0	89.1	96.0	90.0	84.7	80.0	85.5	80.8	76.5	72.6
120"	96"	24"	100.0	98.1	91.5	85.8	92.8	86.9	81.7	77.1	82.7	78.0	73.8	70.0
126"	96"	30"	100.0	94.7	88.3	82.7	89.7	84.0	78.9	74.4	80.0	75.4	71.3	67.6
132"	96"	36"	98.8	91.5	85.3	79.8	86.9	81.2	76.3	71.9	77.6	73.0	69.0	65.4
138"	96"	42"	90.5	83.7	77.8	72.7	79.8	74.4	69.7	65.6	71.3	67.0	63.2	59.8
144"	96"	48"	78.3	72.5	67.5	63.1	69.0	64.4	60.4	56.9	61.6	58.0	54.7	51.8
120"	108"	12"	100.0	94.7	88.6	83.2	89.1	83.7	78.9	74.6	79.4	75.0	71.1	67.6
126"	108"	18"	98.4	91.5	85.5	80.3	86.3	81.0	76.3	72.1	76.9	72.6	68.8	65.4
132"	108"	24"	95.3	88.6	82.7	77.6	83.7	78.4	73.8	69.7	74.6	70.4	66.6	63.3
138"	108"	30"	92.4	85.8	80.0	75.0	81.2	76.1	71.5	-	72.4	68.3	-	-
144"	108"	36"	82.7	76.2	70.7	65.9	73.1	68.0	63.5	-	65.4	61.3	-	-

DESIGN LOAD CAPACITY - PSF (5/16" DIA. TAPCONS)														
OPENING DIMENSIONS			DOOR WIDTH (W) = 60"				DOOR WIDTH (W) = 72"				DOOR WIDTH (W) = 84"			
			SIDELITE WIDTHS (W1)				SIDELITE WIDTHS (W1)				SIDELITE WIDTHS (W1)			
L	L1	L2	24"	30"	36"	42"	24"	30"	36"	42"	24"	30"	36"	42"
96"	84"	12"	100.0	100.0	100.0	100.0	100.0	100.0	100.0	100.0	100.0	100.0	100.0	100.0
102"	84"	18"	100.0	100.0	100.0	100.0	100.0	100.0	100.0	100.0	100.0	100.0	100.0	100.0
108"	84"	24"	100.0	100.0	100.0	100.0	100.0	100.0	100.0	100.0	100.0	100.0	100.0	100.0
114"	84"	30"	100.0	100.0	100.0	100.0	100.0	100.0	100.0	100.0	100.0	100.0	100.0	100.0
120"	84"	36"	100.0	100.0	100.0	100.0	100.0	100.0	100.0	100.0	100.0	100.0	96.3	91.1
126"	84"	42"	100.0	100.0	100.0	94.2	100.0	96.2	90.2	84.9	92.0	86.5	81.7	77.3
132"	84"	48"	100.0	92.9	86.5	81.0	88.2	82.4	77.4	72.9	78.7	74.1	70.0	66.3
138"	84"	54"	86.7	80.4	75.0	70.2	76.3	71.3	67.0	63.2	68.1	64.1	60.6	57.4
144"	84"	60"	75.7	70.3	65.5	61.4	66.6	62.3	58.5	55.2	59.4	56.0	52.9	50.2
108"	96"	12"	100.0	100.0	100.0	100.0	100.0	100.0	100.0	100.0	100.0	100.0	100.0	100.0
114"	96"	18"	100.0	100.0	100.0	100.0	100.0	100.0	100.0	100.0	100.0	100.0	100.0	100.0
120"	96"	24"	100.0	100.0	100.0	100.0	100.0	100.0	100.0	100.0	100.0	100.0	100.0	94.9
126"	96"	30"	100.0	100.0	100.0	99.1	100.0	100.0	95.7	89.8	98.7	92.4	86.9	82.0
132"	96"	36"	100.0	97.5	90.5	84.4	93.2	86.8	81.2	76.3	83.4	78.2	73.7	69.6
138"	96"	42"	90.5	83.7	77.8	72.7	79.8	74.4	69.7	65.6	71.3	67.0	63.2	59.8
144"	96"	48"	78.3	72.5	67.5	63.1	69.0	64.4	60.4	56.9	61.6	58.0	54.7	51.8
120"	108"	12"	100.0	100.0	100.0	100.0	100.0	100.0	100.0	100.0	100.0	100.0	96.3	91.6
126"	108"	18"	100.0	100.0	100.0	100.0	100.0	100.0	100.0	96.8	100.0	98.4	93.2	88.5
132"	108"	24"	100.0	100.0	96.5	89.6	100.0	93.5	87.0	81.4	90.7	84.6	79.3	74.6
138"	108"	30"	96.5	88.8	82.2	76.5	85.4	79.3	74.0	-	76.6	71.6	-	-
144"	108"	36"	82.7	76.2	70.7	65.9	73.1	68.0	63.5	-	65.4	61.3	-	-



REFER TO SEPARATE 'CGI' N.D.A. FOR SERIES 450 DOORS, SIDELITES AND TRANSOMS

THESE MULLIONS ARE RATED FOR LARGE MISSILE IMPACT

VERTICAL ALUMINUM MULLION DOOR FRAME MEMBER INCLUDED IN PROPERTIES

NOTES:
 THIS PRODUCT HAS BEEN DESIGNED AND TESTED TO COMPLY WITH THE REQUIREMENTS OF THE FLORIDA BUILDING CODE 2004 EDITION INCLUDING HIGH VELOCITY HURRICANE ZONE.
 ALL GLAZING PRODUCTS USED WITH THESE MULLIONS MUST MEET THE APPLICABLE BUILDING CODE REQUIREMENTS I.E: WIND LOAD, WATER INFILTRATION, FORCED ENTRY RESISTANCE, SAFEGUARDS ETC.
 WOOD BUCKS BY OTHERS, MUST BE ANCHORED PROPERLY TO TRANSFER LOADS TO THE STRUCTURE.
 ANCHORS SHALL BE AS LISTED, SPACED AS SHOWN ON DETAILS, EMBEDMENT TO BASE MATERIAL SHALL BE BEYOND WALL COVERING (STUCCO, TILE ETC.).
 ANCHORING CONDITIONS OTHER THAN THOSE SHOWN IN THESE DETAILS ARE NOT PART OF THIS APPROVAL.

INSTRUCTIONS:

- USE MULLION/ANCHOR CHART AS FOLLOWS.
- STEP 1** DETERMINE DESIGN LOAD REQUIRED PER ASCE 7 FOR PARTICULAR OPENING.
- STEP 2** USE CONNECTION TO MULLION AS PER THIS PRODUCT APPROVAL.
- STEP 3** USING CHART SELECT ANCHORS WITH DESIGN RATING MORE THAN THE DESIGN LOAD SPECIFIED IN STEP 1 ABOVE.
- STEP 4** CAPACITY OF SELECTED CGI'S DOORS/SIDELITE/TRANSOM AND MULLION MUST EQUAL OR EXCEED REQUIRED LOADS.

THIS MULLION APPROVAL TO BE USED FOR MULLION AS SHOWN ON SHEET 3 AND MUST CONTAIN CGI'S SWING DOORS, SIDELITES AND TRANSOMS AS DEPICTED.

Engr: DR. HUMAYOUN FAROOQ
 STRUCTURES
 FLA. PE # 16557
 C.A.N. 3538
JUN 05 2006

PRODUCT REVISED
 as complying with the Florida Building Code
 Acceptance No. 06-0127.03
 Expiration Date NOV 19, 2006
 By: Shay I. Chanda
 Miami Dade Product Control Division

PRODUCT RENEWED
 as complying with the Florida Building Code
 Acceptance No. 06-0809.06
 Expiration Date 05.25.2011
 By: Shay I. Chanda
 Miami Dade Product Control Division

AL-FAROOQ CORPORATION
 ENGINEERS, PLANNERS & PRODUCT DESIGN
 1235 SW 87 AVE
 MIAMI, FLORIDA 33174
 TEL. (305) 264-8100 FAX. (305) 262-6978

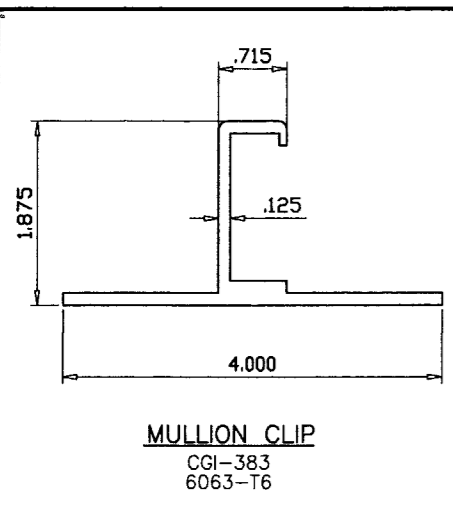
MULLION DETAILS-SERIES 450
CONSTRUCTION GLASS INDUSTRIES CORP.
 7840 N.W. 62 STREET
 MIAMI, FL. 33166
 TEL. (305) 593-6590 FAX (305) 593-6592

revisions:	no.	date	by	description
	A	10.15.98		GENERAL REVISION
	B	12.30.05		UPDATED FOR 2004 FBC
	C	05.23.06		REV. PER BCCO COMMENTS

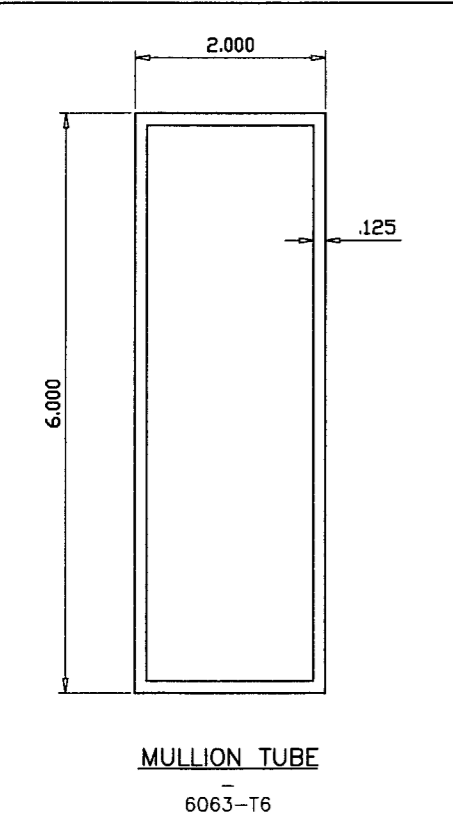
date: 04-23-98
 scale: 1/2" = 1"
 dr. by: HAMID
 chk. by:

drawing no.
M98-02

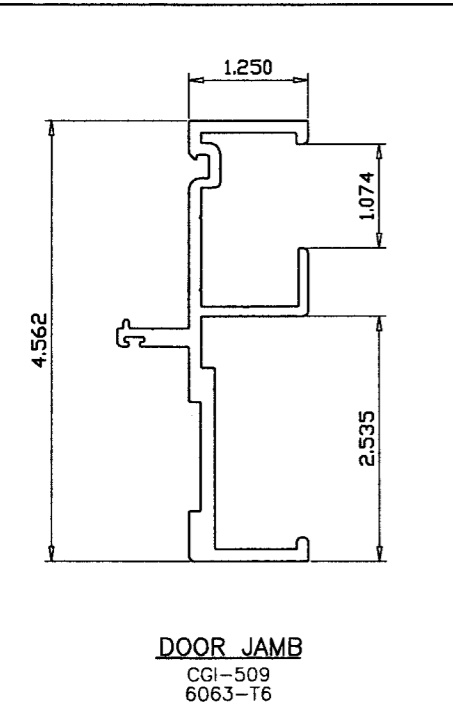
sheet 1 of 3



MULLION CLIP
CGI-383
6063-T6



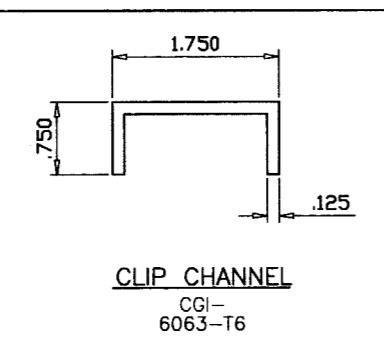
MULLION TUBE
6063-T6



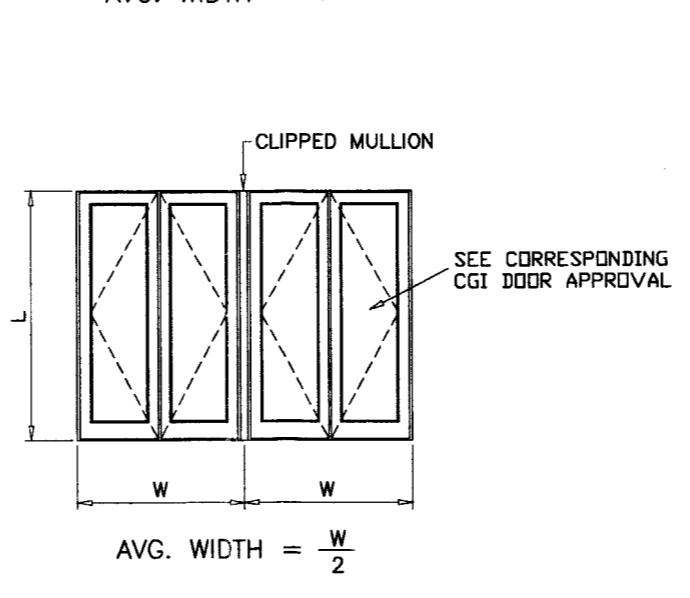
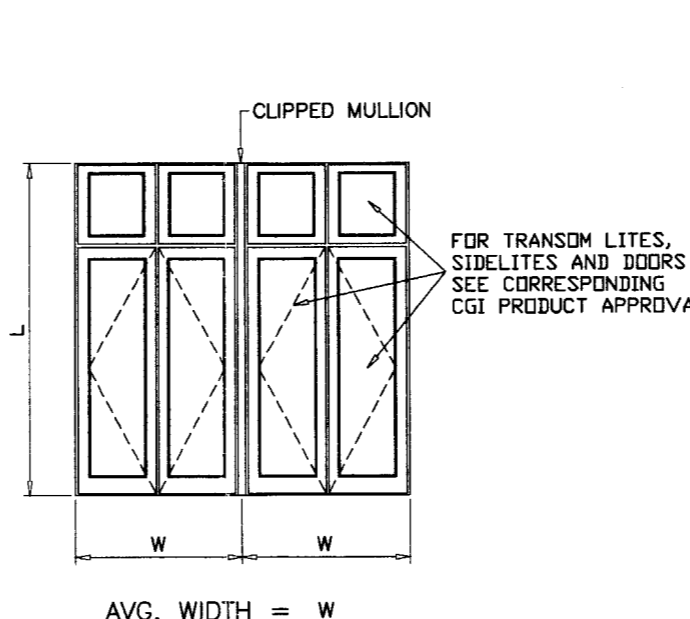
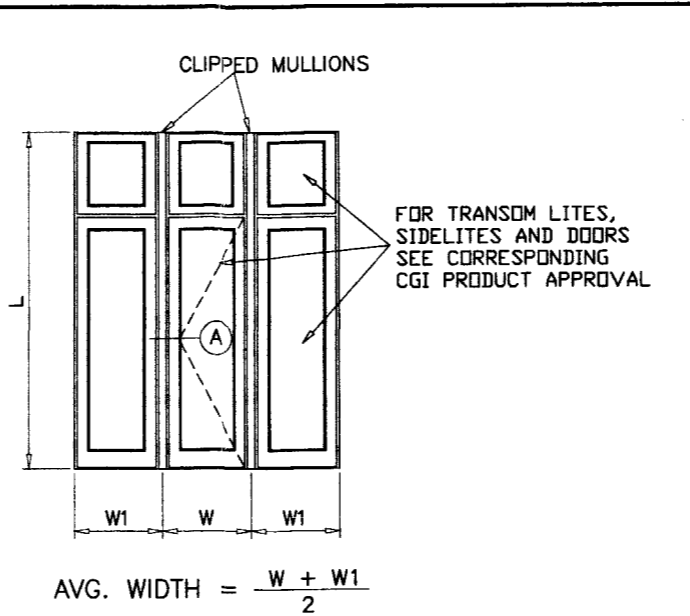
DOOR JAMB
CGI-509
6063-T6

1/4" DIA. TAPCONS		
L IN.	AVG. WIDTH IN.	P MAX. PSF
84"	24	100.0
	30	100.0
	36	100.0
	42	100.0
	48	100.0
	54	100.0
	60	98.1
	66	89.1
96"	72	81.7
	78	75.4
	84	70.0
	24	100.0
	30	100.0
	36	100.0
	42	100.0
	48	100.0
108"	54	95.3
	60	85.8
	66	78.0
	72	71.5
	78	66.0
	84	61.3
	24	100.0
	30	100.0
120"	36	100.0
	42	100.0
	48	95.3
	54	84.7
	60	76.3
	66	69.3
	72	63.6
	78	58.7

1/4" DIA. TAPCONS		
L IN.	AVG. WIDTH IN.	P MAX. PSF
120"	24	100.0
	30	100.0
	36	100.0
	42	98.1
	48	85.8
	54	76.3
	60	68.6
	66	62.4
132"	72	57.2
	78	54.0
	84	50.0
	24	100.0
	30	100.0
	36	100.0
	42	89.1
	48	78.0
144"	54	69.3
	60	62.4
	66	56.2
	72	49.0
	78	42.8
	84	37.6
	24	100.0
	30	97.3
156"	36	81.1
	42	69.5
	48	60.8
	54	54.0
	60	48.6
	66	43.4
	72	38.2
	78	33.0



CLIP CHANNEL
CGI-
6063-T6



5/16" DIA. TAPCONS		
L IN.	AVG. WIDTH IN.	P MAX. PSF
84"	24	100.0
	30	100.0
	36	100.0
	42	100.0
	48	100.0
	54	100.0
	60	100.0
	66	100.0
96"	72	100.0
	78	100.0
	84	94.9
	24	100.0
	30	100.0
	36	100.0
	42	100.0
	48	100.0
108"	54	100.0
	60	100.0
	66	100.0
	72	96.8
	78	89.4
	84	83.0
	24	100.0
	30	100.0
120"	36	100.0
	42	100.0
	48	100.0
	54	100.0
	60	100.0
	66	93.9
	72	86.1
	78	79.5

5/16" DIA. TAPCONS		
L IN.	AVG. WIDTH IN.	P MAX. PSF
120"	24	100.0
	30	100.0
	36	100.0
	42	100.0
	48	100.0
	54	93.4
	60	84.0
	66	76.4
132"	72	70.0
	78	64.6
	84	59.2
	24	100.0
	30	100.0
	36	100.0
	42	90.2
	48	78.9
144"	54	70.2
	60	63.1
	66	56.0
	72	48.9
	78	41.8
	84	34.7
	24	100.0
	30	97.3
156"	36	81.1
	42	69.5
	48	60.8
	54	54.0
	60	48.6
	66	43.4
	72	38.2
	78	33.0

Engr: DR. HUMAYOUN FAROOQ
STRUCTURES
FLA. PE # 16557
C.A.N. 3538

JUN 05 2006

Product Renewed
as complying with the Florida
Building Code
Acceptance No. 06-0127-03
Expiration Date NOV 19, 2006
By: Islem I. Lhanda
Miami Dade Product Control
Division

PRODUCT RENEWED
as complying with the Florida
Building Code
Acceptance No. 06-0809-06
Expiration Date 07/05/2011
By: Islem I. Lhanda
Miami Dade Product Control
Division

AL-FAROOQ CORPORATION
ENGINEERS, PLANNERS & PRODUCT DESIGN
1235 SW 87 AVE
MIAMI, FLORIDA 33174
TEL. (305) 264-8100 FAX. (305) 262-6978
MULLION\M98-02CG

MULLION DETAILS - SERIES 450

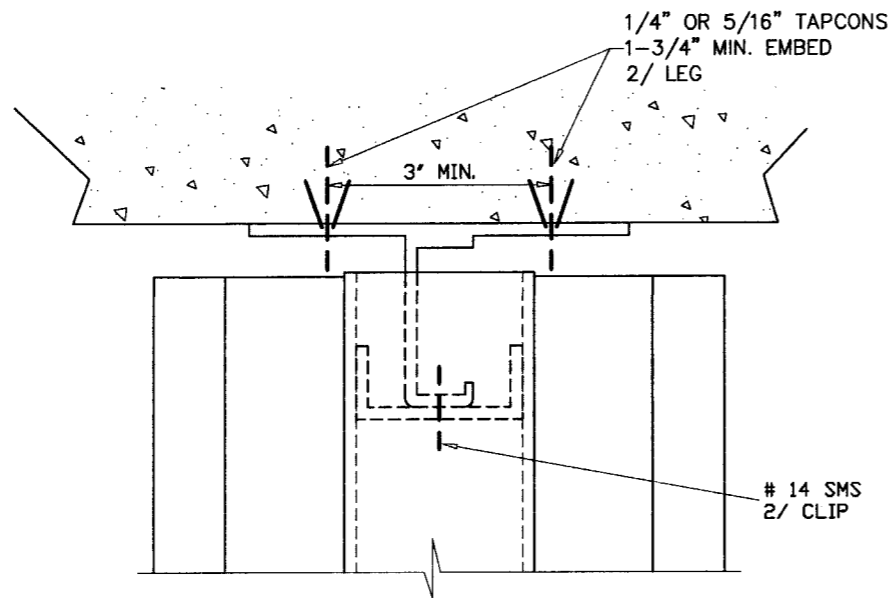
CONSTRUCTION GLASS INDUSTRIES CORP.
7840 N.W. 62 STREET
MIAMI, FL. 33166
TEL. (305) 593-6590 FAX (305) 593-6592

revisions:	no	date	description	by	chart rev.	rev. per	comments
	B	12.30.05					
	C	05.23.06					

date: 04-23-98
scale: 1/2" = 1"
dr. by: HAMID
chk. by:

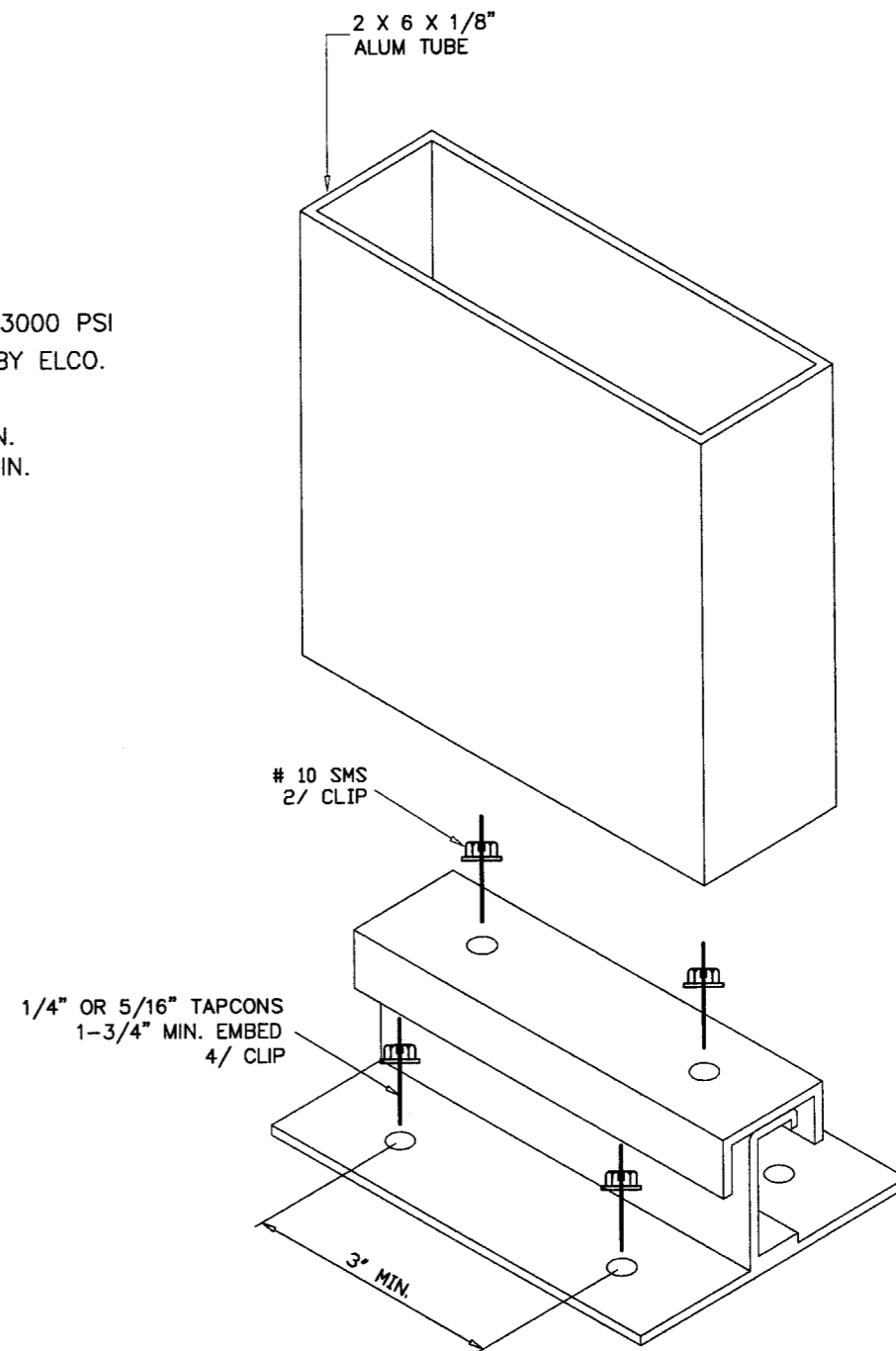
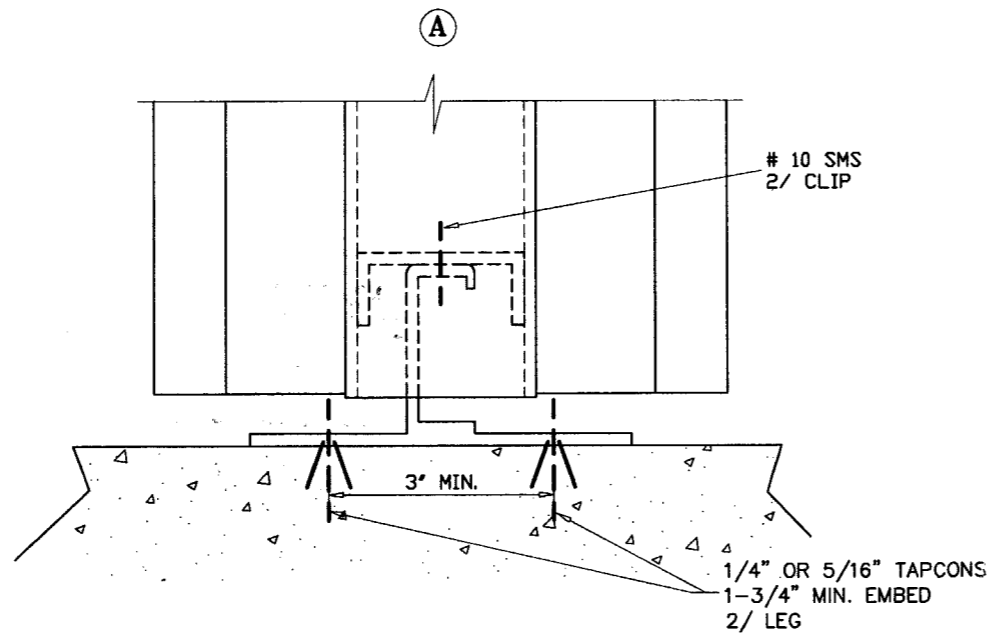
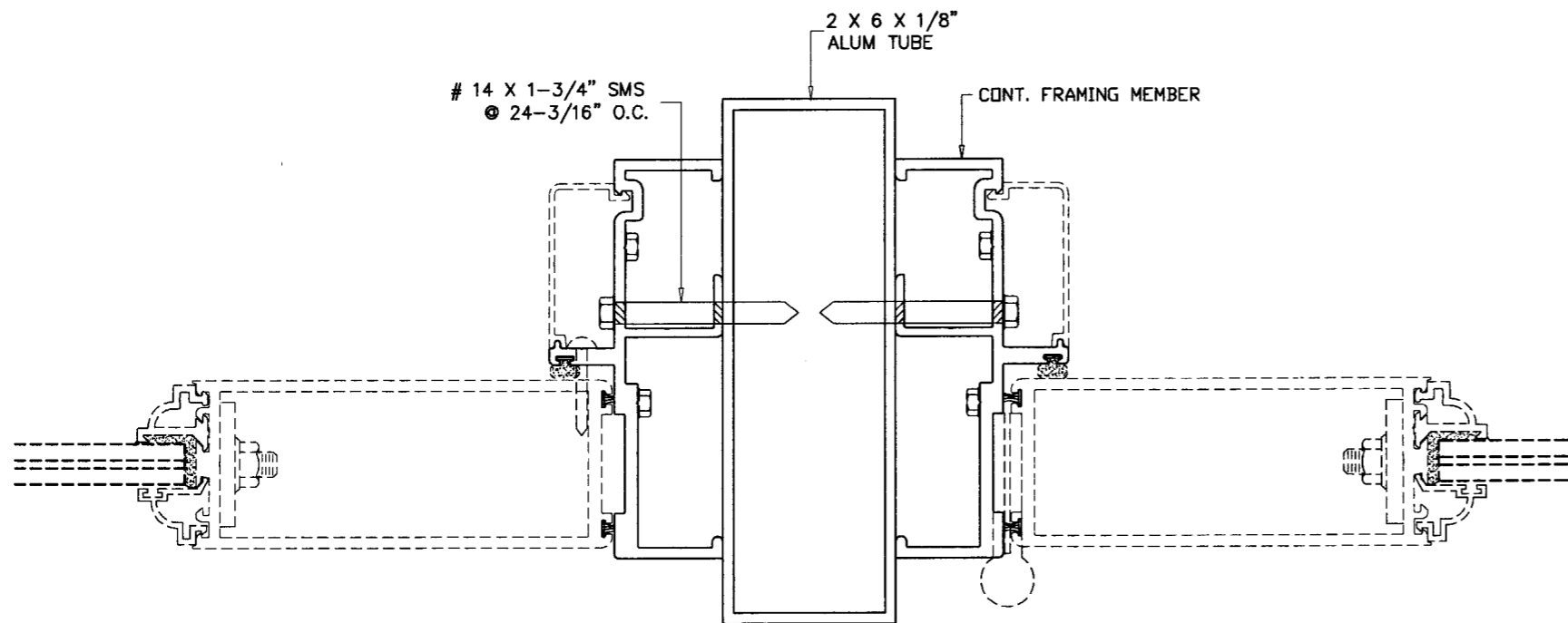
drawing no.
M98-02

sheet 2 of 3



NOTES:

1. MIN. CONCRETE STRENGTH = 3000 PSI
2. TAPCONS AS MANUFACTURED BY ELCO.
3. MIN. EDGE DISTANCE
1/4" TAPCONS = 2-1/2" MIN.
5/16" TAPCONS = 3-1/4" MIN.



PRODUCT REVISED
as complying with the Florida
Building Code
Acceptance No 06-0127-03
Expiration Date Nov 19, 2006
By Iskag J. Lhanda
Miami Code Product Control
Division

PRODUCT RENEWED
as complying with the Florida
Building Code
Acceptance No 06-0809-06
Expiration Date Dec 20, 2011
By Iskag J. Lhanda
Miami Code Product Control
Division

Engr. DR. HUMAYOUN FAROOQ
STRUCTURES
FLA. PE # 16557
C.A.N. 3538

JUN 05 2006

AL-FAROOQ CORPORATION
ENGINEERS, PLANNERS & PRODUCT DESIGN
1235 SW 87 AVE
MIAMI, FLORIDA 33174
TEL. (305) 264-8100 FAX. (305) 262-6978

MULLION DETAILS--SERIES 450
CONSTRUCTION GLASS INDUSTRIES CORP.
7840 N.W. 62 STREET
MIAMI, FL. 33166
TEL. (305) 593-6590 FAX (305) 593-6592

NO	DATE	BY	DESCRIPTION
B	12.30.05		ANCHORS REV.
C	05.23.06		REV. PER BCCO COMMENTS

revisions:

date: 04-23-98
scale: 1/2" = 1"
dr. by: HAMID
chk. by:

drawing no.
M98-02

sheet 3 of 3